

SOUTHWEST MISSISSIPPI ELECTRIC POWER ASSOCIATION

METER LOOP SPECIFICATIONS

UNDERGROUND SERVICE ENTRANCE – CONSUMER FURNISHED & INSTALLED CONDUIT

METER BASE MUST BE INSTALLED FOR STAKING ENGINEER TO STAKE!

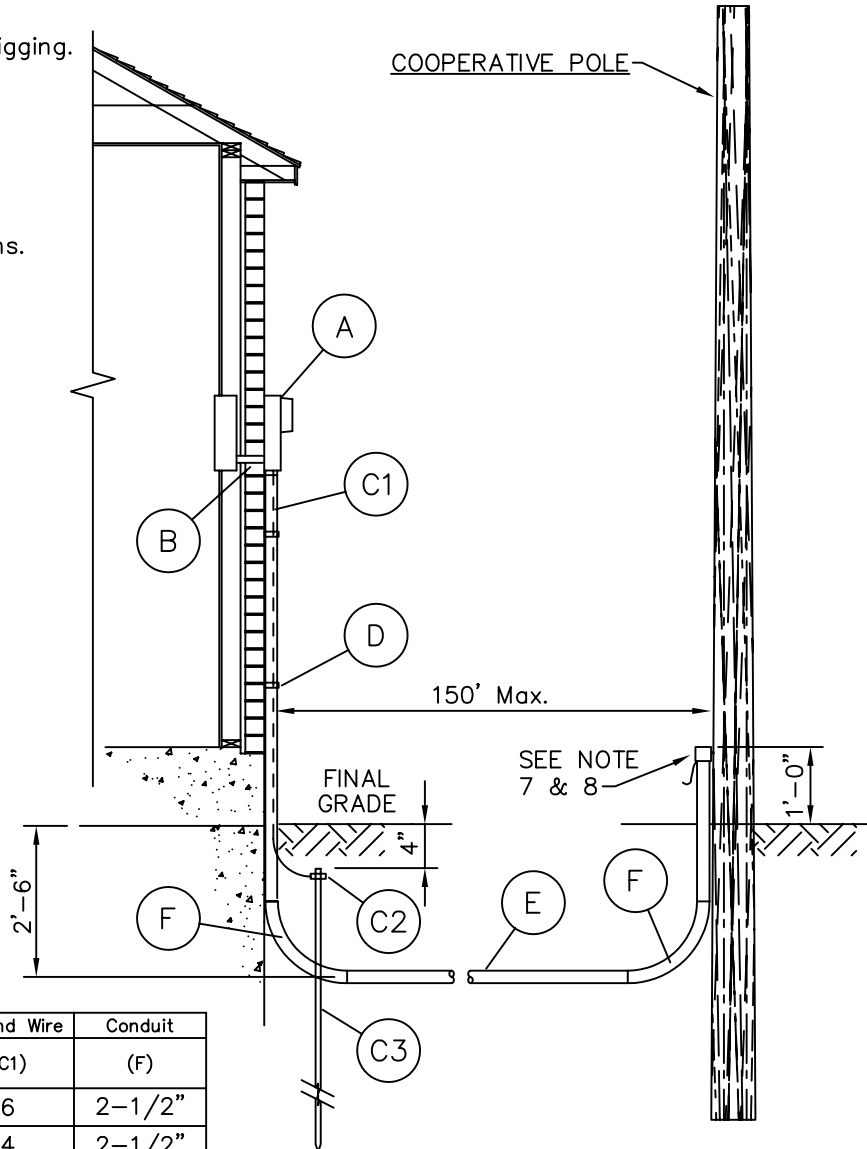
Effective July 1, 2005
Amended June 21, 2007

GENERAL REQUIREMENTS:

1. Consumer is responsible for all equipment shown except the meter.
2. Consumer is responsible for load capacity including future loads.
3. This drawing is illustrative of generally acceptable standards. Where National, Local, City or Community codes are more restrictive, they shall govern. It shall be the responsibility of the member to construct and maintain the electrical service in a safe manner.
4. Use qualified electrician and install the electric service in accordance with the National Electric Code.
5. Meter pan height shall be 5'-6" above ground.
6. This detail for 200 amp maximum service. Consult Engineering Department for larger service.
7. A nylon pull cord shall be provided in the PVC conduit. Tape end of PVC conduit at pole. Nylon cord must be exposed.
8. Customer must also furnish (3) three 10-foot sections of conduit, (1) one weatherhead, and (5) five conduit straps.
(To be installed by Southwest)
9. MS ONE CALL must be called prior to digging.
(1-800-227-6477)

Legend:

- A) Meter Base, underground service style
Customer responsible for all connections.
- B) Customer's conductors,
copper only.
- C1) Grounding conductor, copper only, bare in wall or if exposed in 1/2" conduit, securely fastened to wall.
- C2) Ground rod clamps: Acorn type below grade recommended.
- C3) Ground rod 8' long, 1/2" dia. copperweld or 5/8" dia. galv.
- D) Conduit straps, min. 2.
- E) PVC Sch. 80 conduit above ground and PVC Sch. 40 below ground.
- F) 90° Sweep, 24" minimum radius elbow.



(G) Full Capacity Amperes	(B) Conductor sizes: determined by Southwest			Ground Wire (C1)	Conduit (F)
	Phase	Neutral			
100	TBD	TBD	X	6	2-1/2"
150	TBD	TBD	X	4	2-1/2"
200	TBD	TBD	X	4	2-1/2"
400	TBD	TBD	X	4	3"